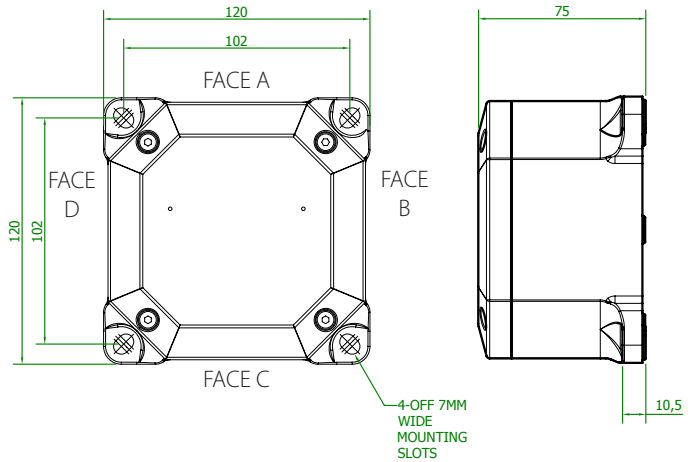
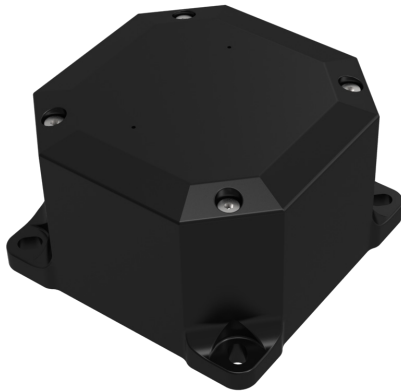




# PL612

Increased Safety Exe Dual Certified ATEX/ IECEx



Offering the ultimate in robust GRP construction the, globally certified PL612 can withstand impact resistance of up to 20Nm. Ideal for use in Zones 1 and 21, the PL612 offers easy installation, superior corrosion resistance and excellent Ingress Protection.

## Terminal Capacity

Terminal Type	Conductor Size (mm <sup>2</sup> )		Max Volts	Rail Orientation	Max. Physical Terminal Content			Reduced Terminal Content at Max Amps	
	Min.	Max.			Terminal Qty	Rail Qty	Amps	Terminal Qty	Amps
WDU 2.5N	0.5	2.5	440	D	12		15	9	17
WDU 2.5	0.5	2.5	690	D	10		17	9	17
UT 2.5	0.14	2.5	690	D	10		15	10	15
WDU 4	0.5	4	690	D	9		22	9	22
UT 4	0.14	4	690	D	9	1	20	9	20
WDU 6	0.5	6	690	D	6		29	6	29
UT6	0.2	6	690	D	6		28	6	28
WDU 10	1.5	10	690	D	5		40	5	40
UT 10	0.5	10	690	D	5		39	5	39
HTB 6	0.5	Max. per Pillar	550	N/A	1	Conductor Size mm <sup>2</sup>	Max. Amps per Pillar	N/A	N/A
		2 x 10mm <sup>2</sup>					1		
		3 x 6mm <sup>2</sup>					1		
		4 x 4mm <sup>2</sup>					8		
		4 x 0.5mm <sup>2</sup>					10		
		2 x 2.5mm <sup>2</sup>					15		
		Solid					21		
		1 x 6.0mm <sup>2</sup>					26		
Stranded	37								

\* Max terminals are split across the quantity of terminal rails

## FEATURES

- The Ultimate in Robust GRP Construction - designed to withstand impact resistance up to 20Nm
- GRP construction provides a high degree of resistance to corrosive atmospheres
- Anti-static properties removes the risk of ignition sources through static induced sparking resistivity
- Globally Certified
- Insulation resistance less than 1GΩ
- External mounting feet for easier installation

Technical Data	
Ingress Protection	IP66 IP67 to IEC/EC 60529
Deluge Protection	DTS01
Material	Glass Reinforced Plastic (GRP) Natural Black Finish
Service Temperature	-60°C to +75°C
Temperature Class and Ambient	T6 40°C as standard Optional T5 with ambients up to 65°C For additional options see technical data
ATEX/IECEX	
ATEX/IECEX Protection Class	Ex II 2 GD Ex eb IIC Gb; Ex tb IIIC Db
ATEX Certificate No	Baseefa06ATEX0117X (PL612) Baseefa06ATEX0116U (ZPL612)
IECEX Certificate Number	IECEX BAS 06.0028X (PL612) IECEX BAS 06.0027U (ZPL612)
Construction & Test Standards	IEC/EN 60079-0, IEC/EN 60079-7 and IEC/EN 60079-31
Marine Approvals	ABS: 17-LD1653735-PDA DNV: TAE00003RY Bureau Veritas: 43523/A1
Additional Certifications	EAC: RU C-GB.AA87.B.00430 Inmetro: IEx 16.0143X PESO: P457339
CSA	
NEC Protection Class	Class I, Zone 1, AEx e IIC Gb Zone 21, AEx tb IIIC T80°C Db
CEC Protection Class	Ex e IIC Gb Ex tb IIIC T80°C Db
c CSA us Certificate	70039997
Construction & Test Standards	UL 50E, UL508, UL12.12.01, UL/CSA-C22.2 60079-0, UL/CSA-C22.2 60079-7, UL/CSA-C22.2 60079-31, CSA-C22.2 No. 94-M91, CSA-C22.2 No. 14-M91
UL	
NEC Protection Class	Class I, Zone 1, AEx eb IIC Gb
CEC Protection Class	Ex eb IIC Gb
UL Certificate No	E181955
Construction & Test Standards	UL 50E, UL508, UL/CSA-C22.2 60079-0, UL/CSA-C22.2 60079-7, CSA-C22.2 No. 94.1-15, CSA-C22.2 No. 14.2-15

Maximum Quantity of Entries Per Face								
Thread Size	M16/M20	M20/A	M25	M32	M40	M50	M63	M75
Faces A/B/C/D	2	-	1	1	-	-	-	-

CAUTION: Entry quantities are calculated based on standard gland diameters. Entry quantity may be affected if using accessories (locknuts, washers etc) with large diameters.

## Simplify your Engineering Projects with BoxHUBB



**BoxHubb** is Hawke's fast, free and simple solution for configuring enclosures online. Use **BoxHubb** for a fast, accurate, and globally accessible way to making your Enclosure design process faster than ever before. Go to [www.ehawke.com/designhubb](http://www.ehawke.com/designhubb)

