



HDL106NE

Ex e LED Floodlight

The **HDL106NE** is a distinctive Emergency LED luminaire allowing up to three modules interlinked, providing an effective and efficient alternative to traditional battery-backed luminaires.

With a variety of beam options available, and integral battery backup allowing for either 90 minutes or 3 hours battery duration, this is a flexible solution for any Emergency or Escape to Sea application.



Mounting Options

Floodlight. Pendant. Bulkhead. High Bay. Pole/Column. Road Lighting.

Standard Specification

HDL106NE Ex e LED Floodlight

Type of Protection	Ex e mb (Increased Safety, Encapsulation) Ex tb (Dust Protected Enclosure)
ATEX Classification	Group II Category 2 GD
Area Classification	Zone 1 and 21 areas to EN 60079-10-1 and EN 60079-10-2 with installation to EN 60079-14
Certificate	EU Type Examination Certificate Sira 09ATEX5159X IECEx Certificate of Conformity IECEx SIR 09.0064X
Coding	Ex e mb IIC T4 Gb Ex tb IIIC T103°C Db
Ambient °C	-20 to +50
Enclosure	LM6 Aluminium with epoxy powder finish (RAL 7035) and Polycarbonate diffuser
Entry	2 x M20 cable entries
Termination	4 Core 4mm ² max conductor with looping
Installation	Stirrup mounting bracket
Control Gear	Electronic Driver
Colour Temperature (CCT)	Refer to Ordering Matrix
Colour Rendering Index (Ra)	>70
Maintenance	M8 Hex Head and M6 SKT Head
Emergency Duration	90mins (75%) or 3hrs (37.5%)
Ingress Protection	IP66/67 to EN 60529
Surge Protection	4kV line to line, 6kV line to earth
Electrical Supply	100-254V AC 50/60Hz

Features

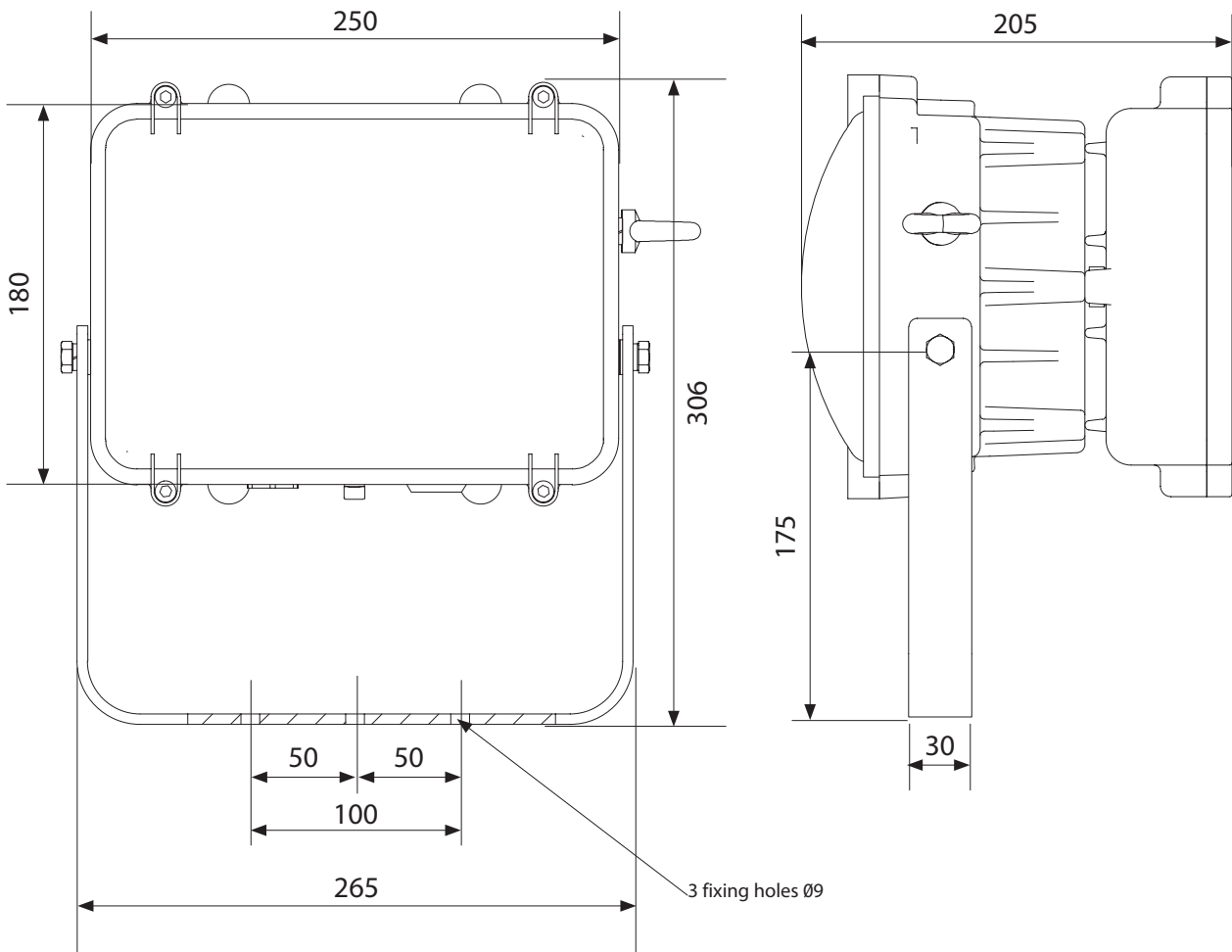
- ◆ Highly **Energy Efficient**
- ◆ **Instant on** crisp white light output
- ◆ **Modular design** allowing up to three interlinked luminaires, each providing a delivered output > 5500lm
- ◆ **Lower power consumption** than HID lamps
- ◆ **Lightweight** (9kg per module) lighting solution
- ◆ **>150,000 maintenance free hours** at 25°C (L70)

HDL 106N				
Version*	Beam Pattern**	Light (CCT)	Cable Entries	Other Options
E – EM (48 LEDs) [62W]	N – Narrow (6565lm)	W – Cool White (5000K)	0 – M20	04 – RAL 7035 (Grey)
ES – EM/Std (96 LEDs) [113W]	M – Medium (5882lm)	X – Warm White (3000K)	5 – M25	FG – Glass front cover
EE – EM/EM (96 LEDs) [122W]	W – Wide (5624lm)			BP – Nickel plated brass plugs
SES – Std/EM/Std (144 LEDs) [165W]	X – Extra Wide (5547lm)			
ESE – EM/Std/EM (144 LEDs) [174W]				
EEE – EM/EM/EM (144 LEDs) [184W]				

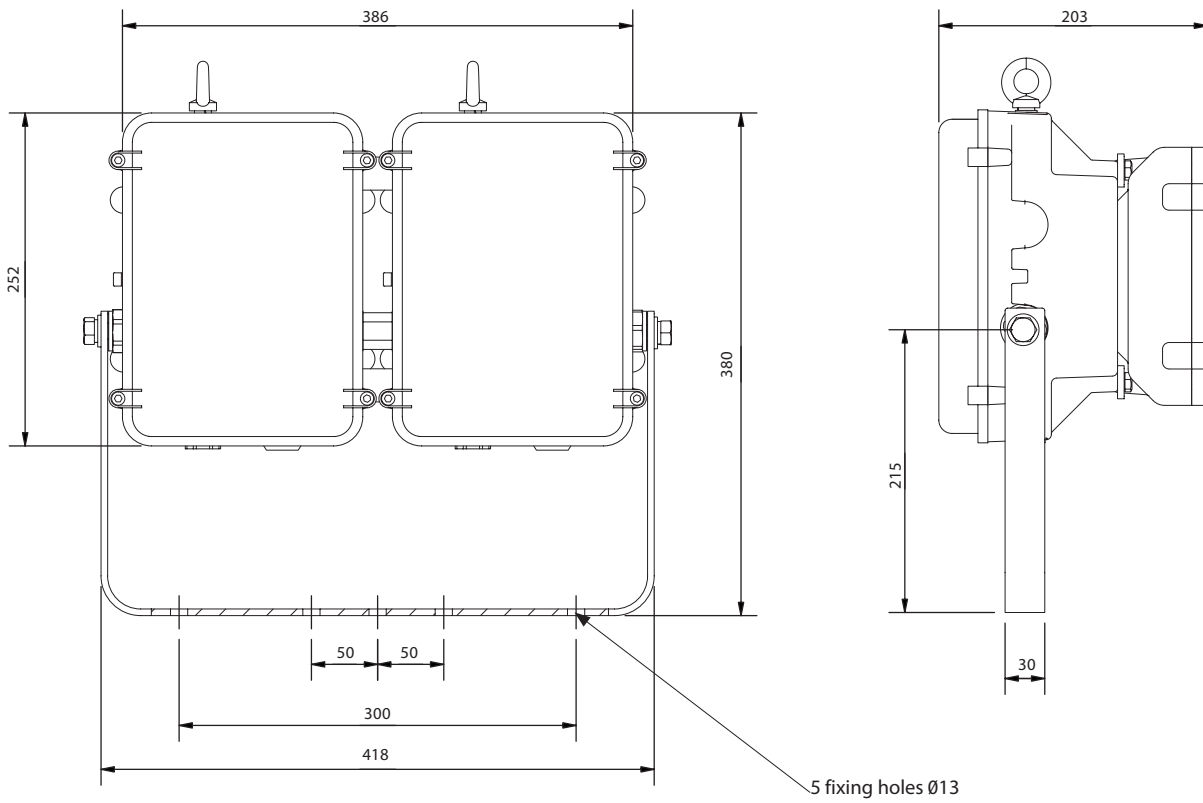
*Power consumption provided in square brackets
 **Delivered outputs based on single module 48LED version

Typical ordering reference: **HDL106NESWX004**

Single unit (48 LEDs)



Double unit (96 LEDs)



Triple unit (144 LEDs)

